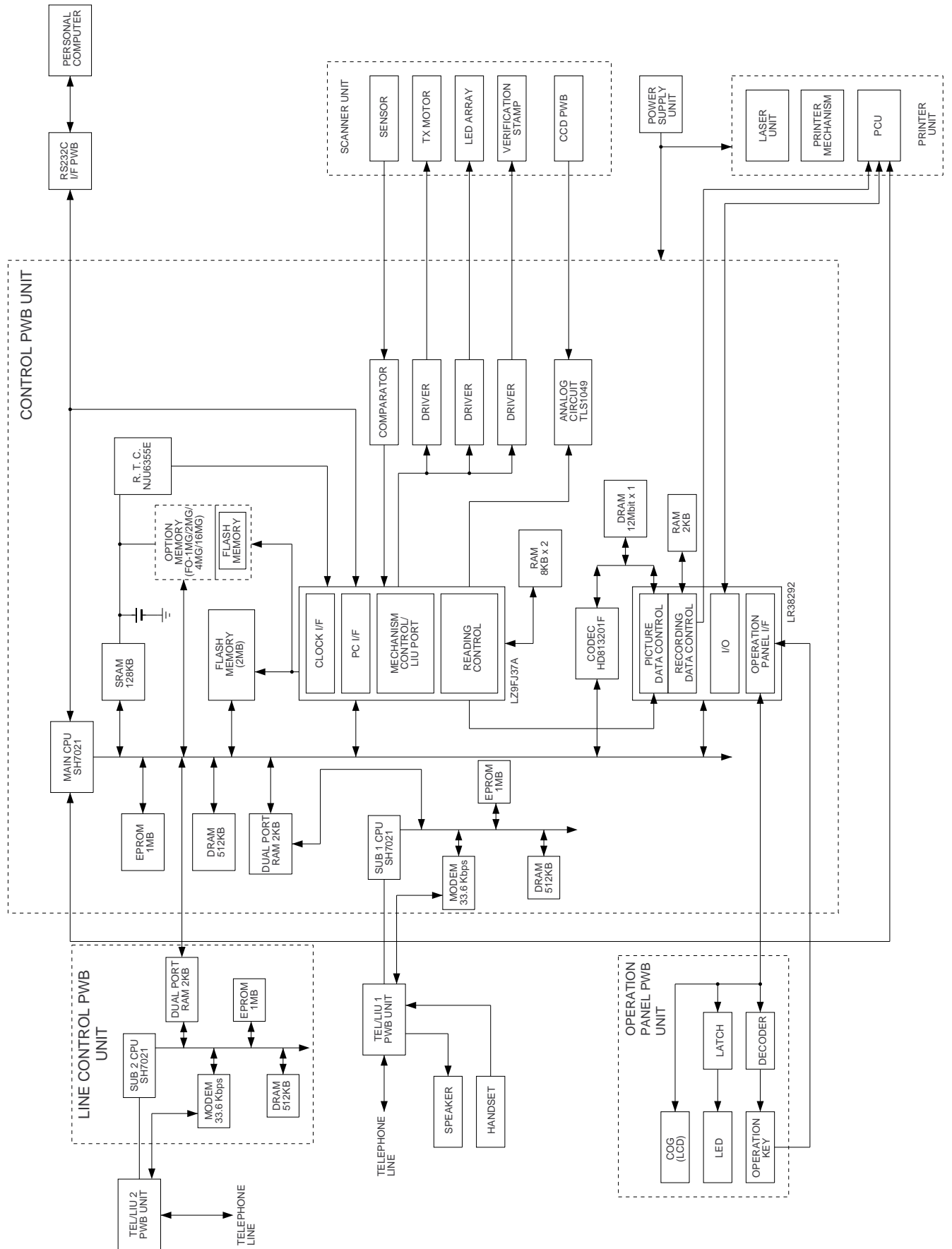
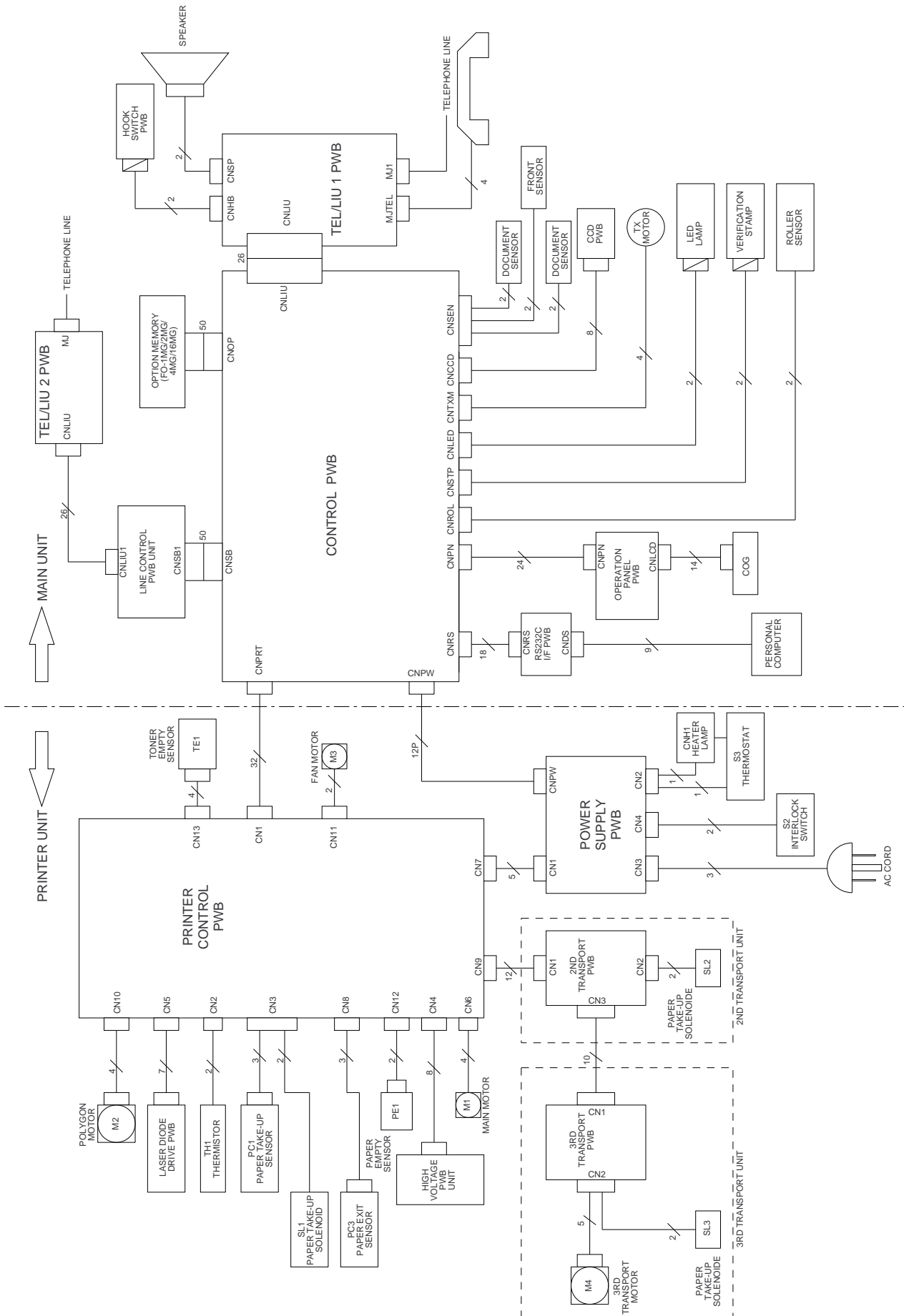


CHAPTER 4. DIAGRAMS

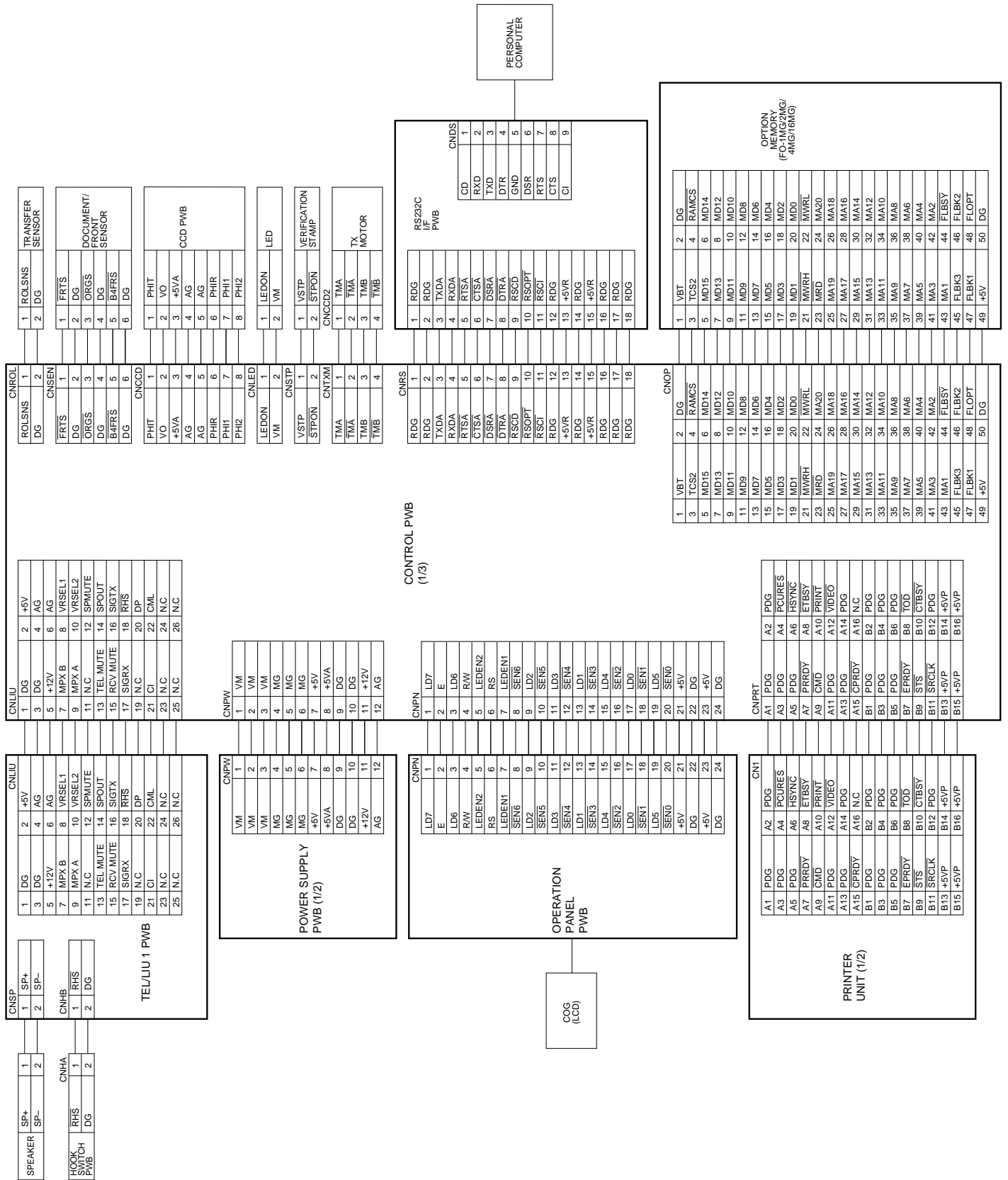
[1] Block diagram



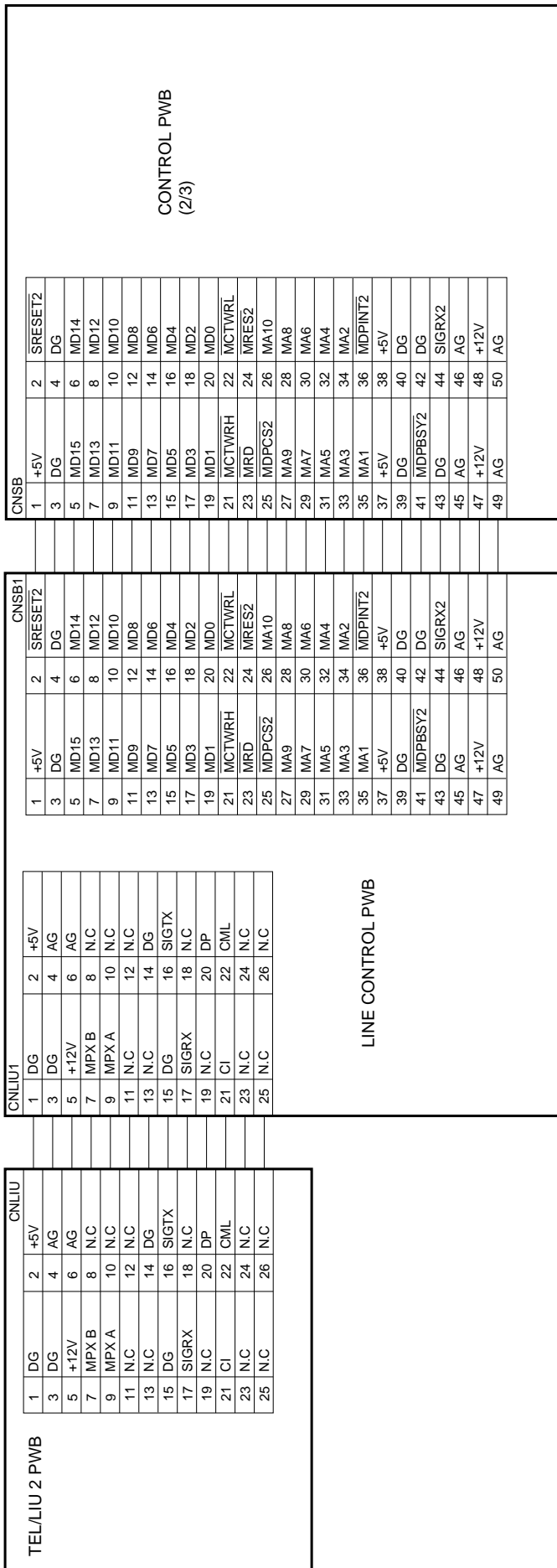
[2] Wiring diagram



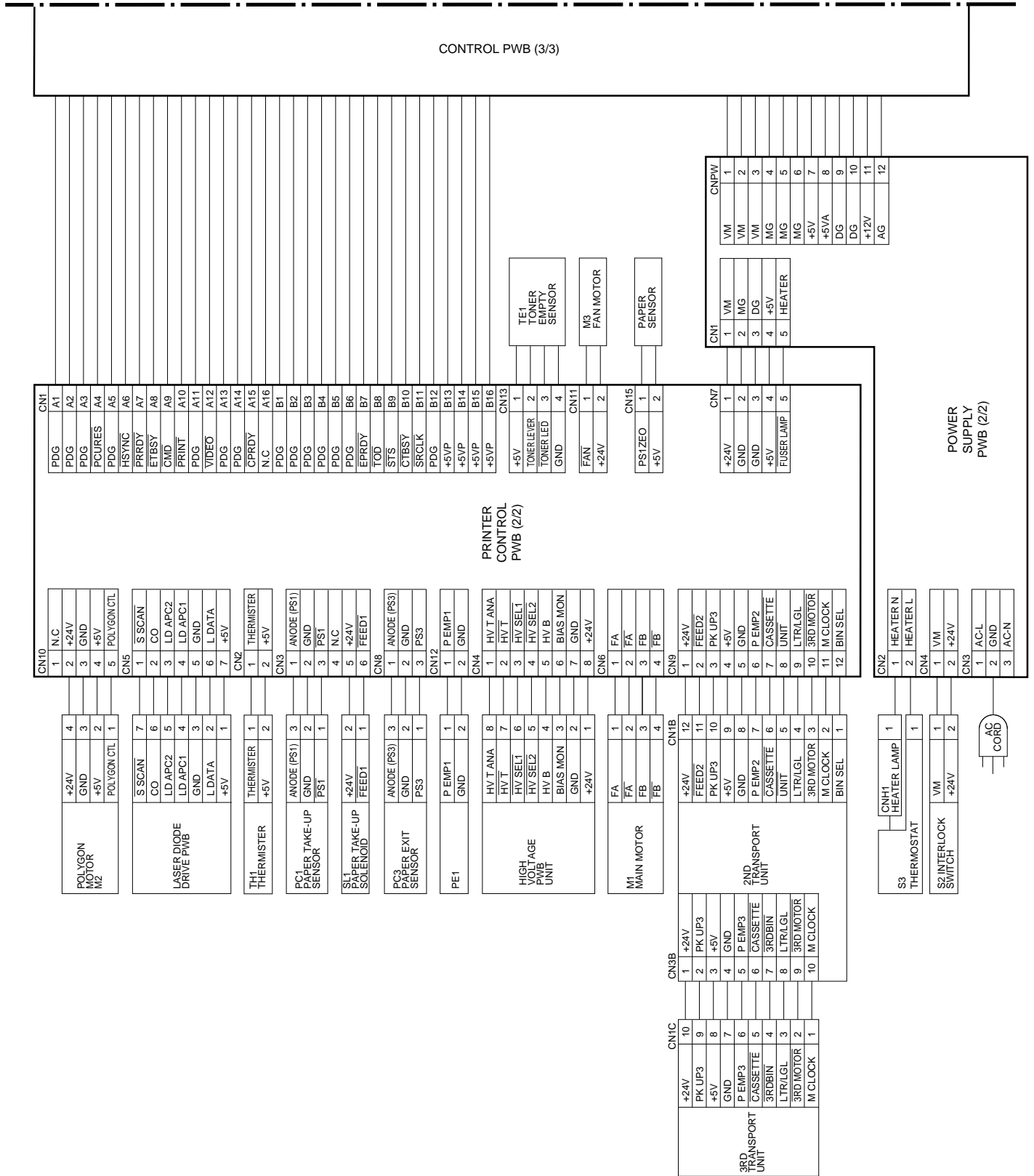
[3] Point- to-point diagram and connector signal name (1)



Point to point diagram and connector signal name (2)



Point to point diagram and connector signal name (3)



MEMO